

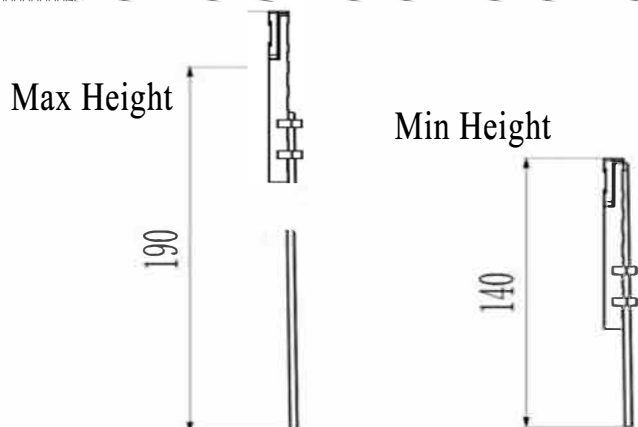
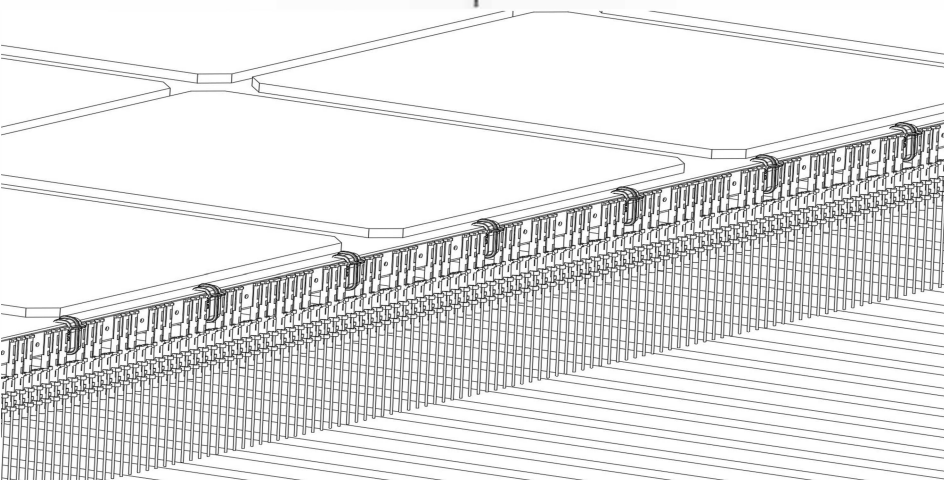
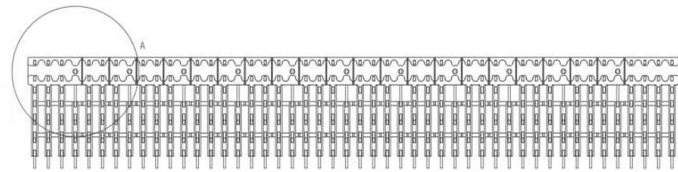
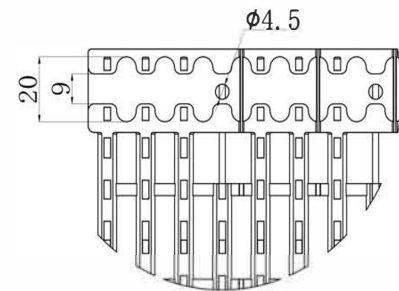
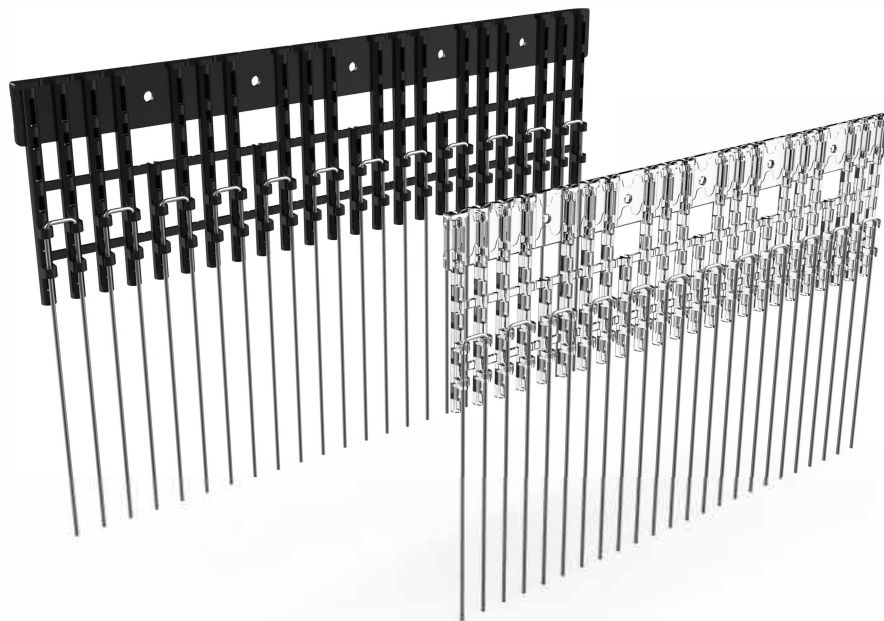
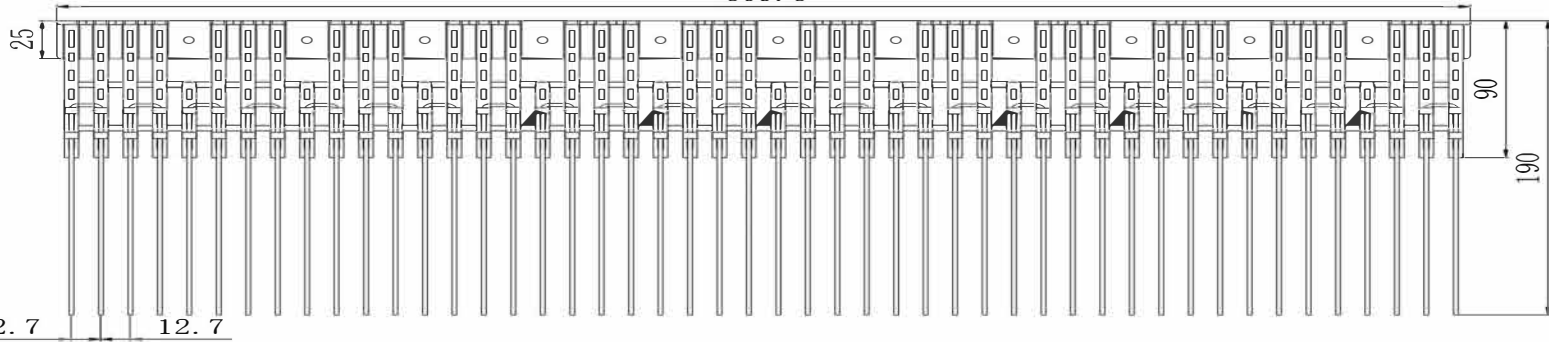
Solar Shield

Solar panel spike & clips

Technical Data Sheet

The Solar Shield plastic base is manufactured from UV stabilised clear polycarbonate and the pins from 304 grade stainless steel. Pins are adjustable from a height of 140mm (minimum) to 190mm (maximum) and have a diameter of approx. 2mm. The base is approx. 610mm in length and is easily cut to size with snips. Solar clips are manufactured from clear polycarbonate and available to suit 30mm or 35mm panel edges.

609.6



Key Descriptions and Specifications:

1. To prevent birds from roosting and nesting under rooftop solar panel arrays.
2. The solar shield system is ideal for solar panels that do not have a lip on the underside of the panel edge.
3. Easy to install - Fix spikes to the edge of the panel with solar clips (No screws or adhesive required).
4. Long service life - Up to 10 years under normal conditions.